

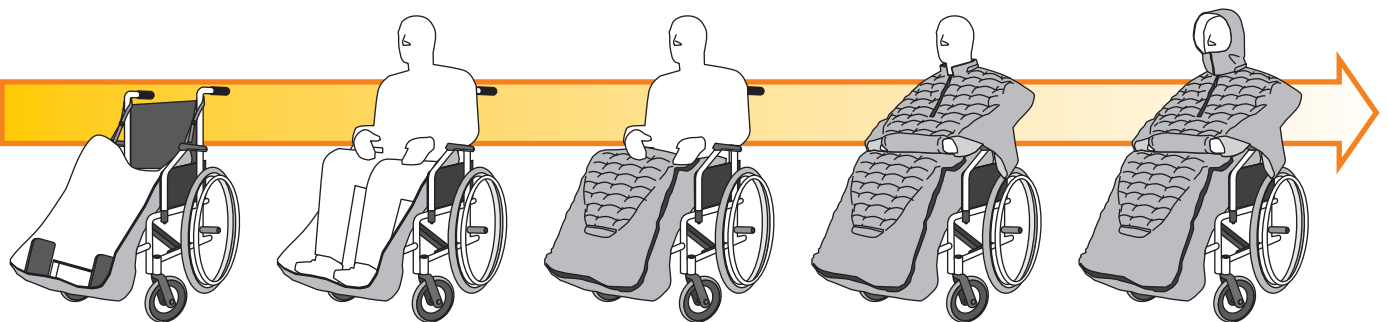
Pro-Warmer

Improving your life with the most comfort,
warm care outdoors



Patent pending

- Unique design makes wheel chair the homelike warm seat outdoors
- Front-zipper design allows users to get in-out of the wheel chair quite easily.
- Separate upper cloak and lower compartment for instantly fit on.
- Two flap pockets for small heating bags added to keep warmer in cold weather.
- Distinguished unicolor design with soft comfort lining makes it the highest quality.
- Multi-national patents applied



<http://www.unitrend.com.tw>



Color Option

0216 油畫紅
009-00623-D



7208 杏色
009-00655-D



4206 油墨藍
009-00635-B

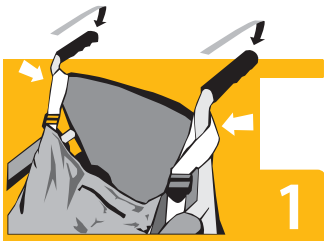


Pro-Warmer

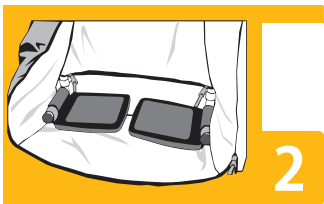
Improving your life with the most comfort, warm care outdoors

Handle Grip:

Put the straps on lower compartment over the handle grips as shown and adjust the length.



Foot Rest:



Slide the dual-zipper on the back to one side and put the opening through the foot plate



Flip down the plate and then slide the zipper to the other end.



Put the opening through another foot plate.



Flip down the plate and zip up to the bottom end.



Upper cloak, lower compartment connecting:

Connecting the upper and lower parts with the zipper as shown for better protection from cold outdoors.

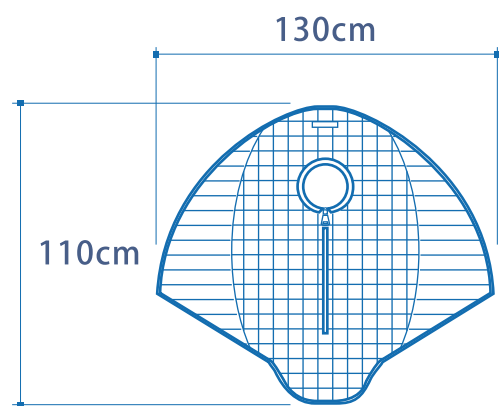


Hanger Bracket:

Wrap the 10cm wide Velcro around the hanger bracket on both side for a secure fit of the lower compartment.

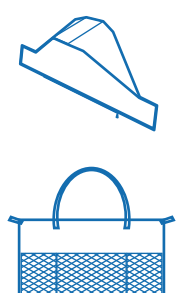
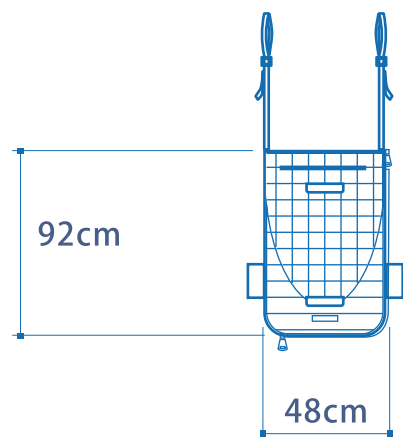
© Partially fold up the wheel chair will be advised for easy, fast installation

Steps of installation:



Contents:

1. Detachable Hood
2. Upper Cloak
3. Lower Compartment
4. Carry Bag (Back Pouch as accessory of wheel chair)



Machine wash warm, Max 105°F.
 Do not bleach or dry clean.
 Do not tumble dry or iron.
 Wash separately
 Cover: 100% Nylon
 Filling: 100% Polyester